

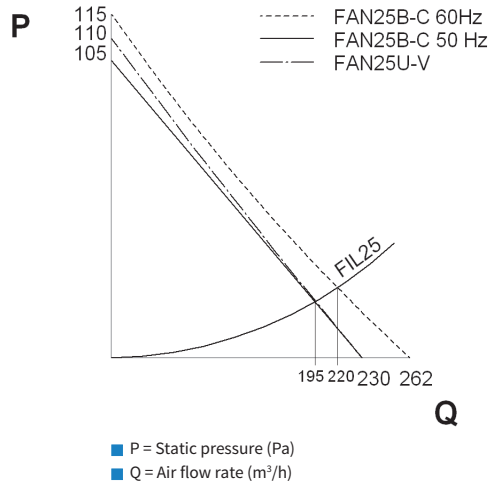
FAN25

Ventilation units with filter

AIR FLOW RATE

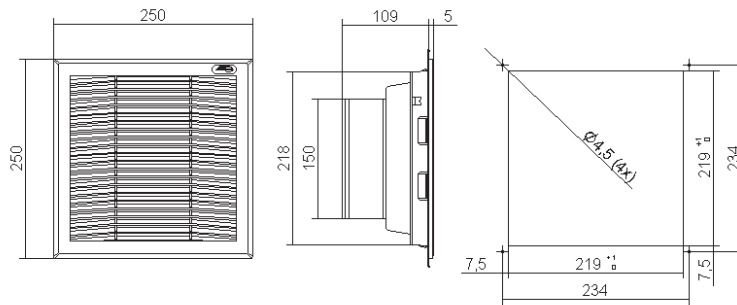
230/262 - 230 m³/h

Performance

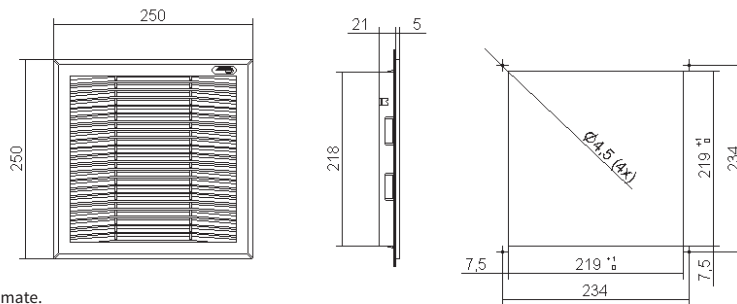


FAN25

Dimensions



FIL25



Drilling templates

N.B.: The drilling templates are only approximate.
 For any requirements, contact our technical/sales office.

Features	UoM	FIL25XN0B	FAN25BN0B	FAN25CN0B	FAN25UN0B	FAN25VN0B
Air flow rate	m ³ /h	-	230 - 262	230 - 262	230	230
Power supply	V ~ Hz	-	230 1~ 50-60	115 1~ 50-60	24 V DC	48 V DC
Dimensions HxWxD	mm	250x250x26	250x250x114	250x250x114	250x250x114	250x250x114
Power draw	W	-	45 - 40	45 - 40	23	20
Max current	A	-	0.35 - 0.28	0.65 - 0.55	0.95	0.42
Overcurrent protection	-	-	Internal motor	Internal motor	Internal motor	Internal motor
Electrical connection	-	-	Faston	Faston	Faston	Faston
Operating cycle	-	-	100%	100%	100%	100%
Temperature limits	°C	-30+75	-10+50	-10+50	-10+50	-10+55
IP rating EN60529	-	IP54	IP54	IP54	IP54	IP54
Noise level	dB (A)	-	56 - 58	56 - 58	50	50
FAN + FIL air flow rate	m ³ /h	-	1x FIL25XN0B: 195 - 220 2x FIL25XN0B: 215 - 233 1x FIL35XN0B: 205 - 228		1x FIL25XN0B: 195 2x FIL25XN0B: 215 1x FIL35XN0B: 205	
Air flow direction	-	-	Ext to int. Reversible	Ext to int. Reversible	Ext to int. Reversible	Ext to int. Reversible
Filter (Eurovent)	-	EU4	EU4	EU4	EU4	EU4
Motor support	-	-	Bearings	Bearings	Bearings	Bearings
Lifetime L ₁₀	h	-	45000	45000	60000	60000
Weight	kg	0.4	1.4	1.4	1.4	1.4
Colour	-	RAL 7035 embossed effect				
Conformity	-	CE	CE	CE	CE	CE

Accessories	
Pack of 10 fabric filters for FAN23-25	AAFFN25
Pack of 10 high-efficiency fabric filters for FAN23-25	AAFFH25
0-60°C thermostat, normally open 10A	AAFTO12
5-60°C thermostat, change-over contact 10A	AAWTS10
Bellows kit for IP55 ingress protection	C12Z01049