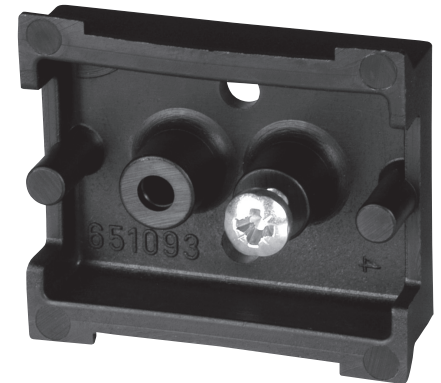
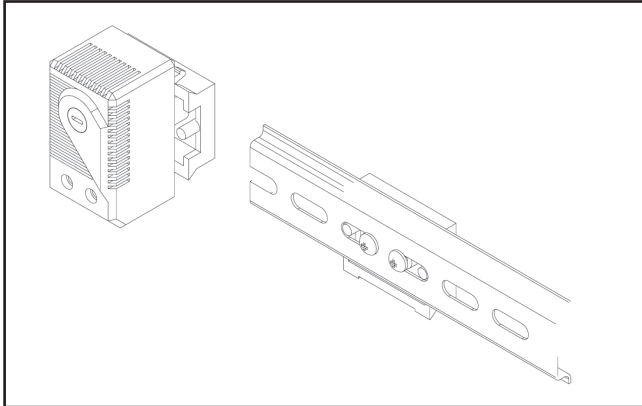


# ACCESSORIES

## AAWFT10

### Devices installation accessory for electric enclosures

Plastic accessory for installing thermostats or other small devices inside electric enclosures. It is easy to apply with the adhesive strip with high anti-ageing characteristics and can support a continuous load up to 500 g. It can also be used for mounting the EN type omega bars.



Characteristics	M.U.	AAWFT10
Dimensions HxWxD	mm	38x43x14
Temperature limits	°C	-45 +70
Weight	g	12

## C1600002

### Thermostat

Temperature control thermostat with adjustable operating field between 20° and 46° C. The temperature is detected by gas bulb.



Characteristics	M.U.	C1600002
Setting range	°C	20-46
Switch difference	K	4,5
Switching capacity (inductive load)	A	2,5/250V
Dimensions HxWxD	mm	43,5x38x 34
Sensor element	-	Gas bulb
Electrical connection	-	Fastons 6,3x0,8mm